



## USER MANUAL

### HMI-4K100M

#### 4KX2K HDMI 1.4 Cat5/6 Extender

Our HDMI 1.4 extender via cat5/6 is a HDMI extender while using CAT-5E/6 cable as transmission media. The transmission distance for 1080P reaches 100 meters. For 4K\*2K reaches 70meters, support 3D transmission, the IR system could control the sources from the sinks or control the sinks from sources.

This device offers solutions for digital entertainment center, HDTV retail and show site, HDTV, STB, DVD and Projector factory, noise, space and security concerns, data center control, information distribution, conference room presentation, school and corporate training environments.

#### Features

- \* One pair as a full functional module, no need for setting.
- \* Use single UTP LAN cable (CAT-5E/6) to substitute HDMI cable to achieve long distance transmission.
- \* UTP cable termination follows the standard of IEEE-568B.
- \* Transmission distance reaches up to 100 meters under the video format of 1080P 70 meters for 4k\*2k.
- \* HDMI V1.4 supported.
- \* HDCP compliant.
- \* Full HD support: 1080p@60Hz@48 b/pixels, 3D and 4Kx2K
- \* With ESD protection inside.
- \* Mounting ears supplied.
- \* Transfer Bidirectional Infrared control signal together with the HDMI signal.
- \* RS232 Port for firmware update or RS232 control signal transmission.

## Caution

### 1. Handle this product with care

Avoid any shock or bumping of the product. Improper handling could damage the product. Do not handle the unit with wet hands. Provide proper ventilation and air circulation and do not use near water.

### 2. Requires a proper operating environment

This product is not waterproof and is designed for indoor use. The allowable temperature range for operation of this product is between 0C~40C / 32°F~104°F.

### 3. Check the power source voltage

The power source voltage should be within the specified range. (Product must meet the specifications).

### 4. Objects and liquid entry

Never push objects of any kind into this product as this may touch dangerous voltage points of short out parts that could result in a fire or electric shock. Never spill any kind of liquid on the product.

### 5. Cleaning

Do not use liquid or aerosol cleaners to clean this unit. Always unplug the power to the device before cleaning.

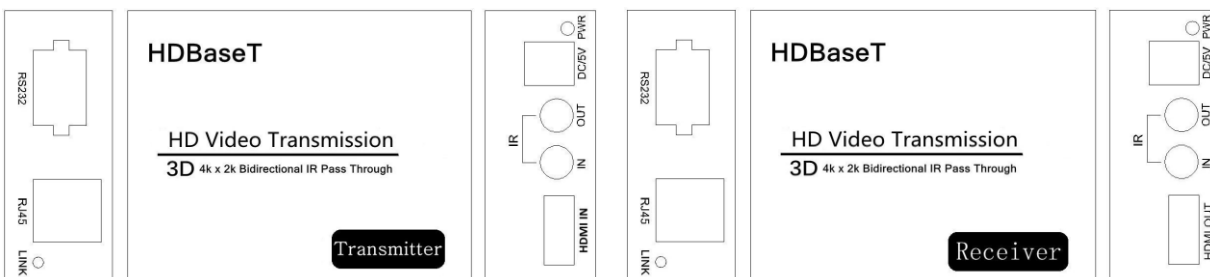
### 6. Servicing

Do not attempt to service this product by yourself as opening or removing covers may expose you to dangerous voltage or other hazards. Refer all service to qualified servicing personnel.

## Package Contents

- ① Main unit NO.1. transmitter
- ② Main unit NO.2. receiver
- ③ Operating instructions.
- ④ 2x 5VDC power supply.
- ⑤ 1xIR TX unit. (IR emitter cable)
- ⑥ 1xIR RX unit. (IR receiver cable)

## Panel Description



Transmitter

Receiver

**LED Direction :**

		Transmitter	Receiver
HDMI		HDMI input	HDMI output
IR IN		IR input	
IR OUT		IR output	
RJ45		UTP input	
Rs232		Rs232 port	
DC/5V		Power input 5VDC	
Indicator		Status	
LINK	ON	Tx and Rx link right	
	OFF	Tx and Rx link fail	
PWR	ON	Power ON	
	OFF	Power OFF	

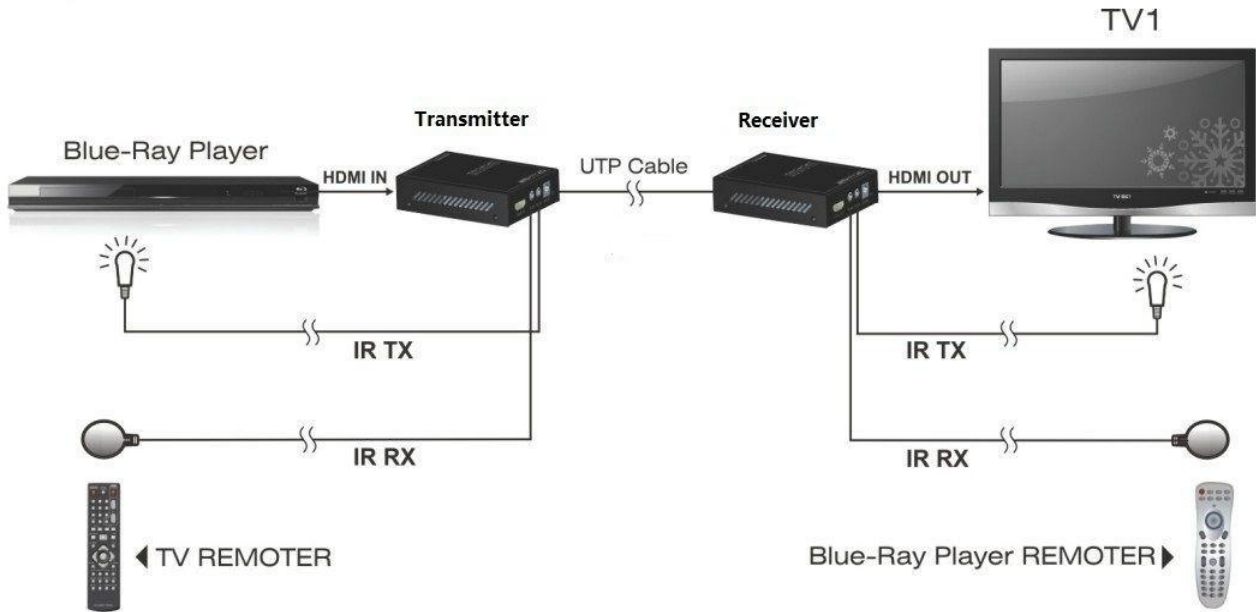
**Specification**

Item	Description
Model	4k X2k HDMI 1.4 cat5 Extender
Video Format Supported	DTV/HDTV; 1080P/1080i/720P/576P/480P/576i/480i
Output Video	HDMI 1.4+HDCP
Output Audio	Support DTS-HD, Dolby-HD
Maximum Transmission Distance	1080pCAT6 120 Meters 1080p 3DCAT6 100 Meters 4K*2K CAT6 70 Meters
Input Video Signal	0.5-1.0 volts p-p
Power Supply	5V/2A DC
Power Consumption	2.5Watts (Transmitter) / 5 Watts(Receiver)
Dimensions	105(H)x76(W)x27(D)mm
Mass (Main unit)	0.7Kg / 1.54lb (Pairs)
Operating Temperature	-5 - +35°C
Operating Humidity	5 to 90 % RH (no condensation)

**Install direction :**

- 1)Connect the HDMI input source (such as HD-DVD、PS3、STB etc. ) to transmitter
  - 2)Connect a CAT-5E/6E cable from RJ45 port of transmitter to RJ45 port of receiver
  - 3)Connect the HDMI sink(such as HD-LCD、HD-DLP) to receiver
  - 4)Connect the IR TX UNIT into transmitter IR TX; Connect the IR RX UNIT into receiver IR RX.
  - 5)Connect the IR RX UNIT into transmitter IR RX; Connect the IR TX UNIT into receiver IR TX.
- Attention: Please insert and extract cables gently.

## Typical Application



## Warranty

### LIMITED ONE (1) YEAR WARRANTY AND EXCLUSIONS

Manufacturer warrants to the original consumer purchaser and not for the benefit of anyone else that this product at the time of its sale by Manufacturer is free of defects in materials and workmanship under normal and proper use for one (1) year from the purchase date.

Manufacturer's only obligation is to correct such defects by repair or replacement, at its option, if within such one (1) year period the product is returned prepaid, with proof of purchase date, and a description of the problem. This warrant excludes and there is disclaimed liability for labor for removal of this product or reinstallation. This warranty is voided if this product is installed improperly or in an improper environment, overloaded, misused, opened, abused, or altered in any manner, or is not used under normal operating conditions or not in accordance with any labels or instructions. There are no other implied warranties of any kind, including merchantability and fitness or a particular purpose, but if any implied warranty is required by the applicable jurisdiction, the duration of any such implied warrant, including merchantability and fitness of or a particular purpose, is limited to one (1) year.

Manufacturer is not liable for incidental, indirect, special, or consequential damages, including without limitation, damage to, or loss of use of, any equipment, loss sales or profits or delay or failure to perform this warranty obligation. The remedies, provided therein are the exclusive remedies under this warranty, whether based on contract, tort or otherwise.